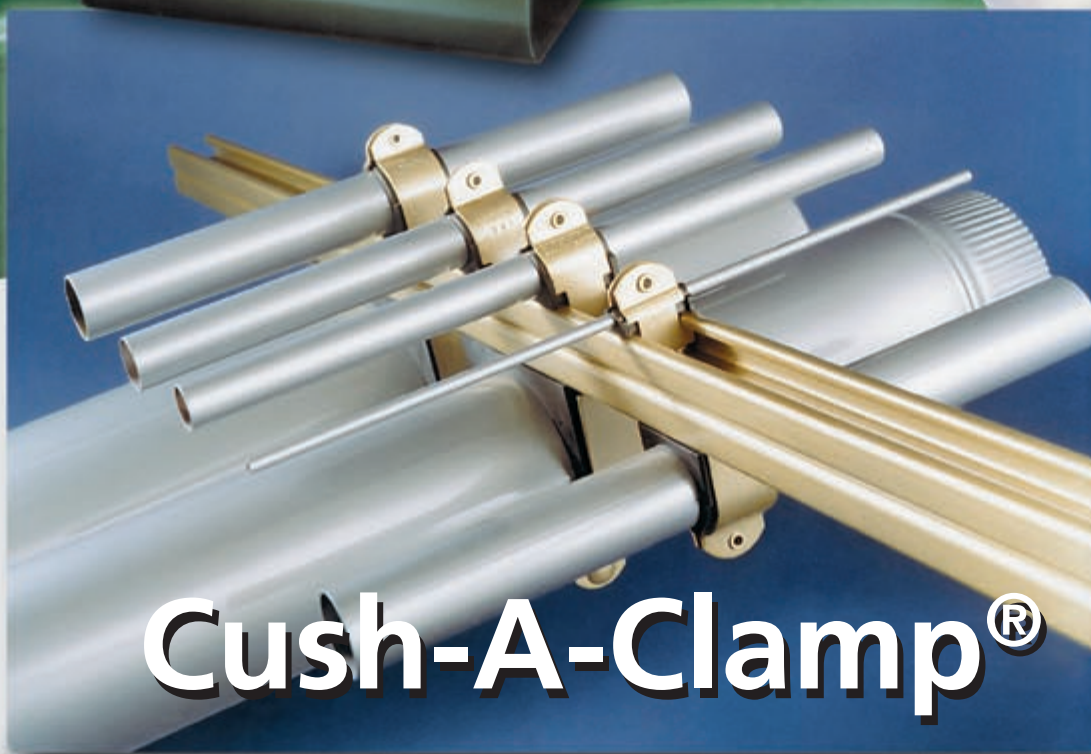
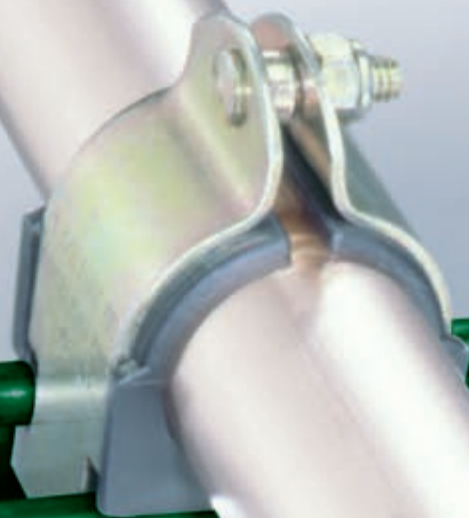




**POWER-STRUT®**



**Cush-A-Clamp®**

Cushioning  
& Clamping  
Products

# About the Products



Power-Strut provide a proper clamping system to combat these effects, presently used in such industries as:

- |                 |                |
|-----------------|----------------|
| Refrigeration   | Fluid Power    |
| Machine Tool    | Pulp and Paper |
| Power Plants    | Marine         |
| Agricultural    | Robotics       |
| Paint Systems   | Communication  |
| Instrumentation | Mining         |
| Construction    | Refineries     |
| Food Processing |                |

**Vibration... Shock...  
Surge... Expansion  
and Contraction...  
Noise... Insulation**

When installing fluid or gas conduction pipe, tube, or hose, the effects of vibration, shock, surge, temperature and unwanted noise are a major concern. Improperly clamped pipe, tube, or hose invite line failure and potential problems. New developments in cushioned clamping from

Cush-A-Clamp® is at home in the plant or in the field, in OEM design or retrofit and repair installations. When your design requires pipe, tube, or hose, let Power-Strut offer a practical and proven method to battle the effects of vibration, shock, surge, electrolysis, abrasion, expansion and contraction.

## U-Bolt Series

U.S. PATENT NO. 4,934,635-4,997,148-5,014,940

Designed for the tough jobs, the U-BOLT SERIES secures pipe runs to any flat surface. Provides total load distribution, allowing the U-BOLT to become a full-contact



Available in pipe sizes from 1/2" thru 12". Also available in type 304 and 316 stainless steel.

hanger instead of a knife edge.

### The Cushion —

A rugged performer molded of a thermoplastic elastomer, the cushion withstands the effects of most oils, chemicals and cleaning compounds, in temperatures from -50°F to 300°F. A Living Hinge allows

quick, easy installation.

### The Clamp —

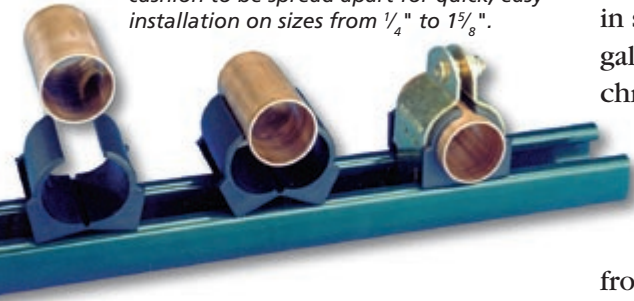
A steel U-BOLT (with electro-galvanized finish) traps and secures the cushion in place to prevent lateral movement, while nylon-insert nuts provide a positive lock.



# Cush-A-Clamp®

U.S. PATENT NO. 4,516,296-4,934,635-4,997,148

A patented "Living Hinge" allows the cushion to be spread apart for quick, easy installation on sizes from  $\frac{1}{4}$ " to  $1\frac{1}{8}$ ".



## The Clamp —

Features a unique shoulder stud which is securely fastened to one clamp half. This "controlled-squeeze" design eliminates overtightening and rotation while a nylon-insert nut



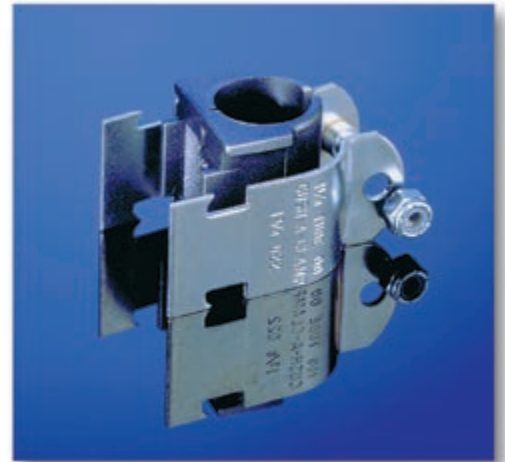
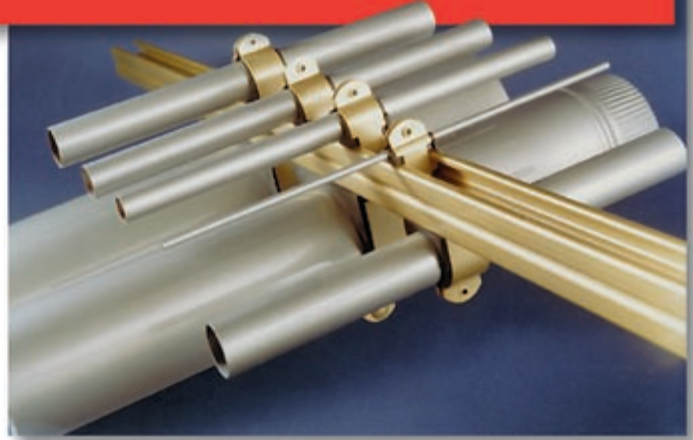
assures a positive lock. Clamps are available in steel (with electro-galvanized or electro-chromate finish), and stainless steel.

## The Cushion —

Manufactured from a thermoplastic elastomer, it's built tough to withstand the effects of most oils, chemicals and industrial cleaning compounds, in temperatures from  $-50^{\circ}\text{F}$  to  $300^{\circ}\text{F}$ . A patented "Living Hinge" allows the cushion to be spread apart for quick, easy installation. Interlock edges and channel locator legs assure that the cushion remains in place.

## Wide Size Range —

Available in tube sizes from  $\frac{1}{4}$ " to  $6\frac{1}{8}$ ", pipe sizes from  $\frac{1}{4}$ " to 6". Special sizes available—call Power-Strut.



## Installation —

One person, one tool gets the job done in a fraction of the time. Retrofits can be added without disassembling your present system.

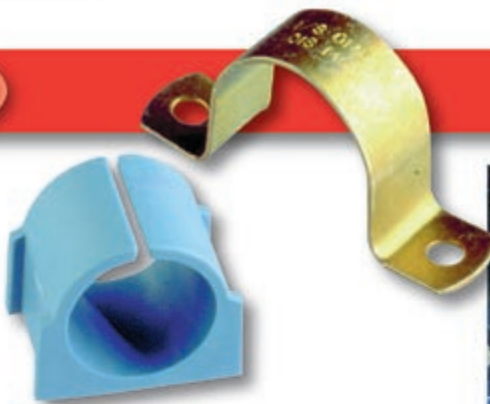
# Omega Series

U.S. PATENT NO. 4,934,635-4,997,148

Attaches with two standard fasteners to any flat surface, machine frame, structural frame, masonry walls, etc. They go up fast, lines are rigid and look neat.

## The Cushion —

Manufactured from a thermoplastic elastomer, it's built tough to withstand the effects of most oils, chemicals and industrial cleaning compounds, in temperatures from  $-50^{\circ}\text{F}$  to  $300^{\circ}\text{F}$ .

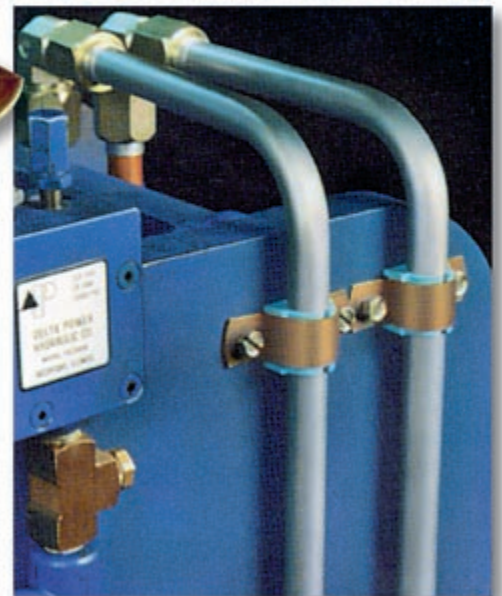


## The Clamp —

Available in steel (with electro-chromate finish), and stainless steel.

## Wide Size Range —

Available in tube sizes from  $\frac{1}{4}$ " to  $2\frac{1}{8}$ ", pipe sizes from  $\frac{1}{4}$ " to 2". Special sizes available—call Power-Strut.



# Ordering Information...

Ordering Cush-A-Clamp, Omega and U-Bolt Series assemblies is fast and easy. Refer to the installation chart, select your specific application, then order the appropriate assembly part number.

## CUSH-A-CLAMP®

All pipe series and tube series above 1 3/4" are furnished without the controlled-squeeze shoulder bolt. These sizes feature a threaded stud securely fastened to one clamp half.

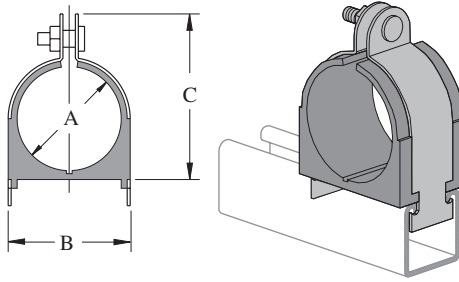
\* Tube O.D. is Cushion I.D. All parts are marked for easy identification and packaged for small lot or bulk use.

Part Numbers are "coded" to designate Tube or Pipe series, cushion size and clamp size.

### Example:

Tube Series	Pipe Series
004 (Cushion Size 1/4")	009 (Cushion Size 1/4" P)
T (Tubing Assembly)	N (Pipe Assembly)
008 (Clamp Size 1/2")	012 (Clamp Size 3/4")

## Cush-A-Clamp®



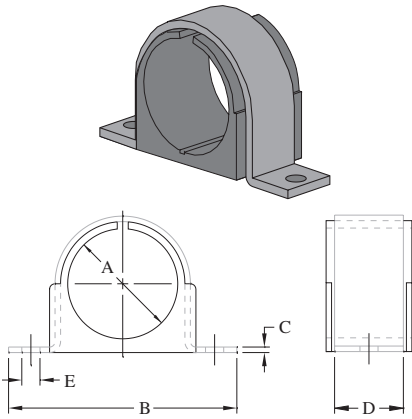
### PIPE SERIES

PART NO.	Pipe Size (Nominal)	Dimensions			Wt./100Pcs
		A	B	C	
PS 009N	1/4"	0.54	0.98	1.34	13
PS 011N	3/8"	0.67	1.13	1.54	14
PS 014N	1/2"	0.84	1.29	1.82	15
PS 017N	3/4"	1.05	1.50	2.08	17
PS 021N	1"	1.31	1.76	2.34	19
PS 027N	1 1/4"	1.66	2.17	2.73	35
PS 030N	1 1/2"	1.90	2.35	2.86	41
PS 038N	2"	2.37	2.82	3.67	49
PS 046N	2 1/2"	2.87	3.32	4.17	57
PS 056N	3"	3.50	3.95	4.79	55
PS 064N	3 1/2"	4.00	4.45	5.42	88
PS 072N	4"	4.50	4.95	5.92	110
PS 089N	5"	5.56	6.01	6.92	130
PS 106N	6"	6.62	7.07	8.23	140

### TUBE SERIES

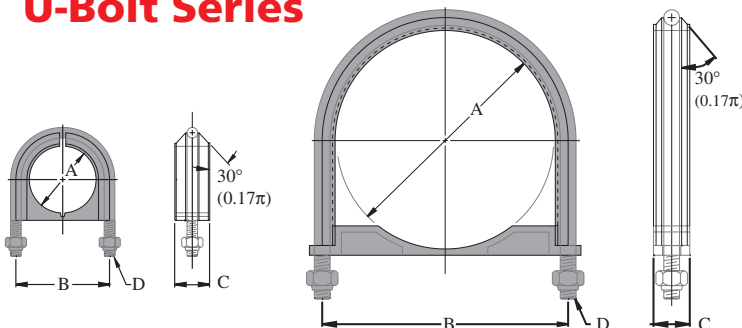
PART NO.	Copper & Steel Tube O. D. Size	Copper Water Pipe (Nominal)	Dimensions			Wt./100 Pcs
			A	B	C	
PS 004T	1/4"		0.25	0.62	0.98	10
PS 006T	3/8"		0.37	0.82	1.13	11
PS 008T	1/2"	1/4"	0.50	0.94	1.34	13
PS 010T	5/8"	1/2"	0.62	1.06	1.54	14
PS 012T	3/4"	5/8"	0.75	1.2	1.68	14
PS 014T	7/8"	3/4"	0.87	1.31	1.82	15
PS 016T	1"		1.00	1.44	1.95	17
PS 018T	1 1/8"	1"	1.12	1.57	2.08	18
PS 020T	1 1/4"		1.25	1.70	2.21	18
PS 022T	1 3/8"	1 1/4"	1.37	1.82	2.34	20
PS 024N	1 1/2"		1.50	1.95	2.47	33
PS 026N	1 5/8"	1 1/2"	1.62	2.07	2.60	35
PS 028N	1 3/4"		1.75	2.20	2.73	37
PS 030N	1 7/8"		1.87	2.32	2.86	39
PS 032N	2"		2.00	2.45	3.04	41
PS 034N	2 1/8"		2.12	2.57	3.23	46
PS 038N	2 3/8"		2.37	2.82	3.67	47
PS 040N	2 1/2"		2.50	2.94	3.79	49
PS 042N	2 5/8"		2.62	3.07	3.92	51
PS 046N	2 3/4"		2.87	3.32	4.17	55
PS 048N	3"		3.00	3.57	4.42	57
PS 050N	3 1/8"		3.12	3.57	4.42	60
PS 056N	3 1/2"		3.50	3.95	4.79	55
PS 058N	3 3/4"		3.62	4.2	5.11	70
PS 064N	4"		4.00	4.45	5.42	88
PS 066N	4 1/8"		4.12	4.57	5.54	94
PS 072N	4 1/2"		4.50	4.95	5.92	110
PS 082N	5 1/8"		5.12	5.57	6.54	125

## Omega Series



PART NO.	Copper Tubing O.D. SIZE	Water Pipe (Nominal)	Pipe Size (Nominal)	DIMENSIONS					Wt./100 Pcs
				A	B	C	D	E	
PS 004M	1/4"			0.25	1.81	0.06	0.62	0.20	3.4
PS 006M	3/8"	1/4"		0.37	1.90	0.06	0.62	0.20	4.0
PS 008M	1/2"	3/8"	1/4"	0.50	2.20	0.06	0.75	0.26	5.5
PS 010M	5/8"	1/2"	3/8"	0.62	2.32	0.06	0.75	0.26	6.0
PS 012M	3/4"	5/8"		0.75	2.41	0.06	0.75	0.26	6.5
PS 014M	7/8"	3/4"	1/2"	0.87	2.56	0.06	0.75	0.26	7.1
PS 016M	1"			1.00	2.68	0.06	0.75	0.26	7.8
PS 018M20			3/4"	1.05	2.68	0.06	0.75	0.26	8.1
PS 018M21	1 1/8"	1"		1.12	2.82	0.06	0.75	0.26	8.4
PS 020M	1 1/4"			1.25	3.00	0.08	1.25	0.26	17.0
PS 021M			1"	1.31	3.12	0.08	1.25	0.26	20.0
PS 022M	1 3/8"	1 1/4"		1.37	3.12	0.08	1.25	0.26	19.0
PS 024M	1 1/2"			1.50	3.65	0.08	1.25	0.26	20.0
PS 026M	1 5/8"	1 1/2"		1.62	3.77	0.08	1.25	0.26	23.0
PS 027M			1 1/4"	1.66	3.90	0.10	1.25	0.33	32.0
PS 028M	1 3/4"			1.75	3.90	0.10	1.25	0.33	32.0
PS 030M	1 7/8"		1 1/2"	1.87	4.02	0.10	1.25	0.33	34.0
PS 032M	2"			2.00	4.15	0.10	1.25	0.33	36.0
PS 034M	2 1/8"			2.12	4.40	0.10	1.25	0.33	41.0
PS 038M			2"	2.37	4.71	0.10	1.25	0.33	44.0

## U-Bolt Series



PART NO.	PIPE SIZE	DIMENSIONS				Wt./100 Pcs
		A	B	C	D	
PS UB 1/2	1/2"	0.84	1.60	0.68	1/4"-20 UNC-2B	9
PS UB 3/2	3/2"	1.05	1.80	0.68	1/4"-20 UNC-2B	10
PS UB 1	1"	1.31	2.05	0.68	1/4"-20 UNC-2B	12
PS UB 1 1/4	1 1/4"	1.66	2.55	1.24	3/4"-16 UNC-2B	32
PS UB 1 1/2	1 1/2"	1.90	2.80	1.24	3/8"-16 UNC-2B	36
PS UB 2	2"	2.37	3.35	1.24	5/8"-16 UNC-2B	42
PS UB 2 1/2	2 1/2"	2.87	3.90	1.24	1/2"-13 UNC-2B	72
PS UB 3	3"	3.50	4.55	1.24	1/2"-13 UNC-2B	84
PS UB 3 1/2	3 1/2"	4.00	5.05	1.24	1/2"-13 UNC-2B	93
PS UB 4	4"	4.50	5.50	1.24	1/2"-13 UNC-2B	102
PS UB 5	5"	5.56	6.56	1.24	1/2"-13 UNC-2B	123
PS UB 6	6"	6.62	7.75	1.44	5/8"-11 UNC-2B	243
PS UB 8	8"	8.62	9.82	1.44	5/8"-11 UNC-2B	293
PS UB 10	10"	10.75	12.16	1.65	3/4"-10 UNC-2B	492



Telephone: 800-882-5543  
www.atcelectrical.com

tyco Electrical & Metal Products